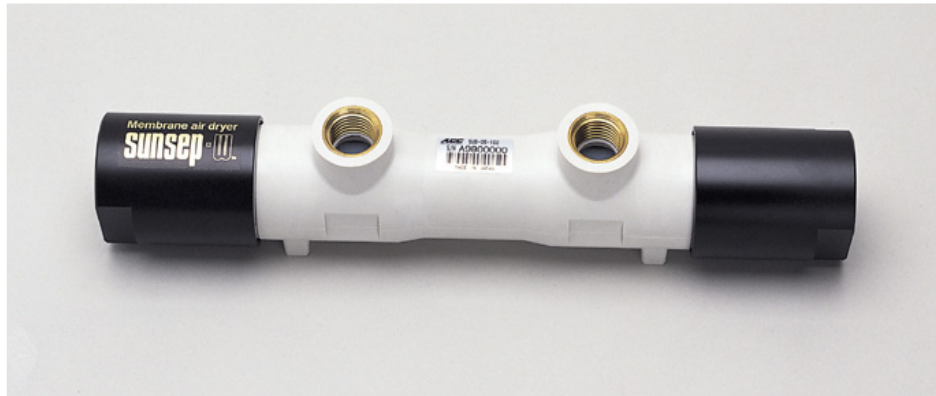


Membrane dryers for compressed gas purification or sample gases

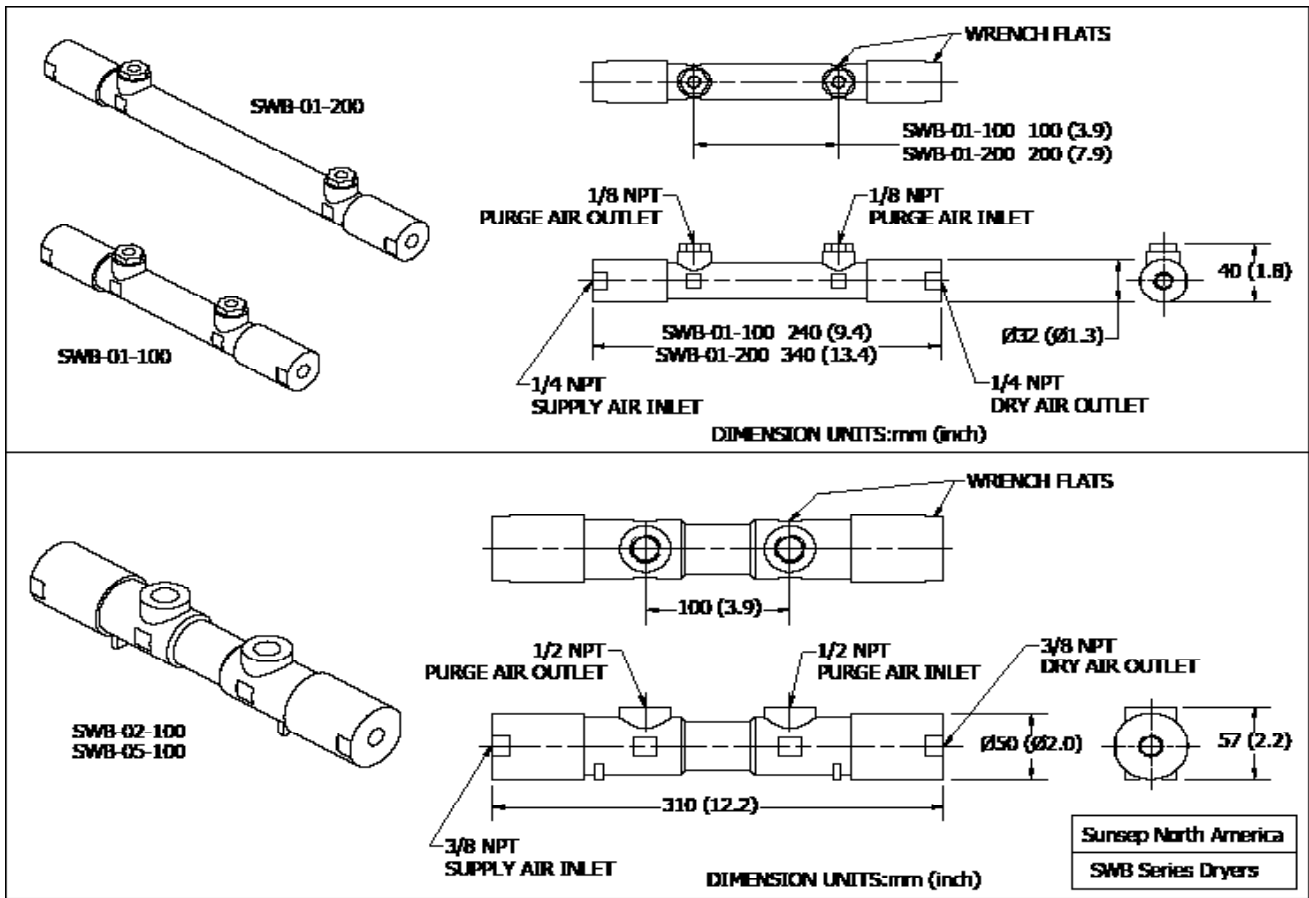
SWB Series Dryers



Sunsep's most versatile dryer can be used for compressed air or gas drying, as well as for removing moisture from sample gases prior to analysis. A hydrophilic polymer developed by AGC absorbs water vapor very selectively and continuously with a counterflow dry purge gas.

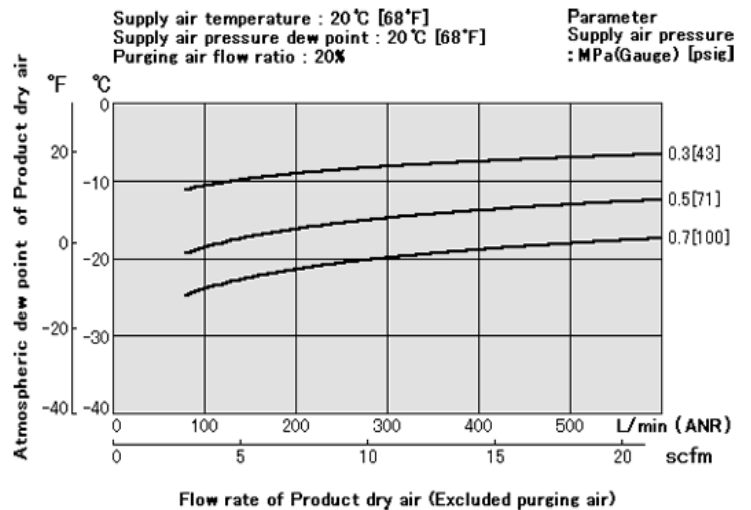
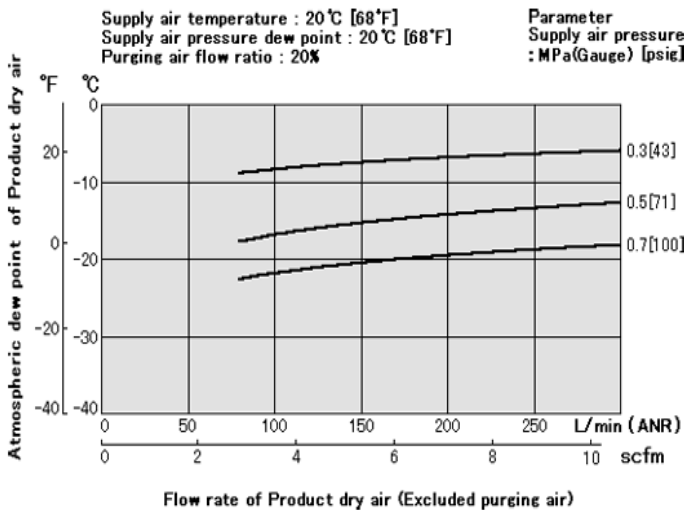
- Dries continuously with countercurrent purge gas
- Selective to water vapor only
- Compact design has small installation footprint
- Suitable for use with most gases and compressed air
- Pressures to 125 psig and flow rates to 100 lpm





SWB-02-100 Drying Performance

SWB-05-100 Drying Performance



Canadian Distributor:



ESG is a leader in the supply of industrial and process filtration equipment and consumables and represents the complete Sunsep product line in Canada.

www.esgfiltration.com

