

Point-of-use membrane dryers for compressed air purification

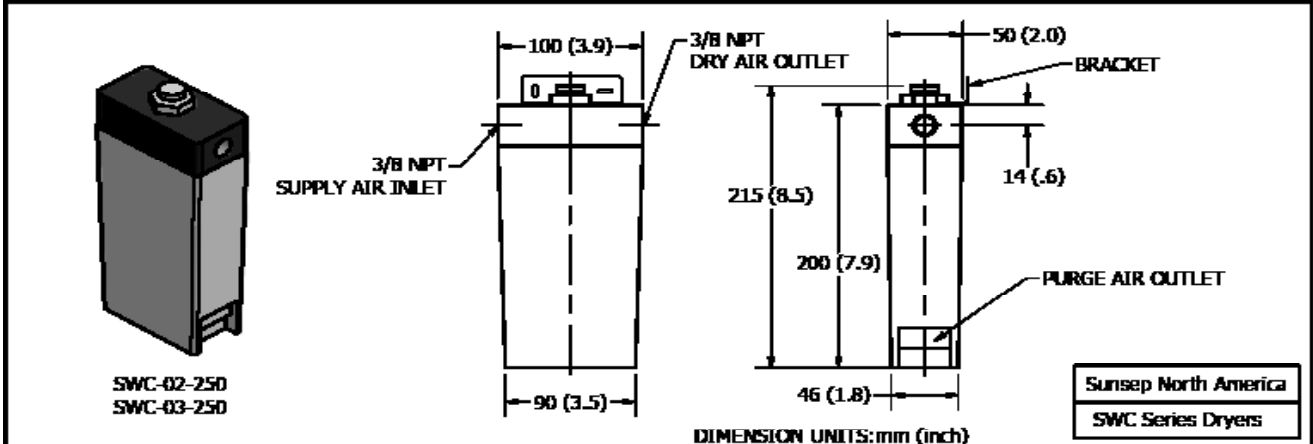
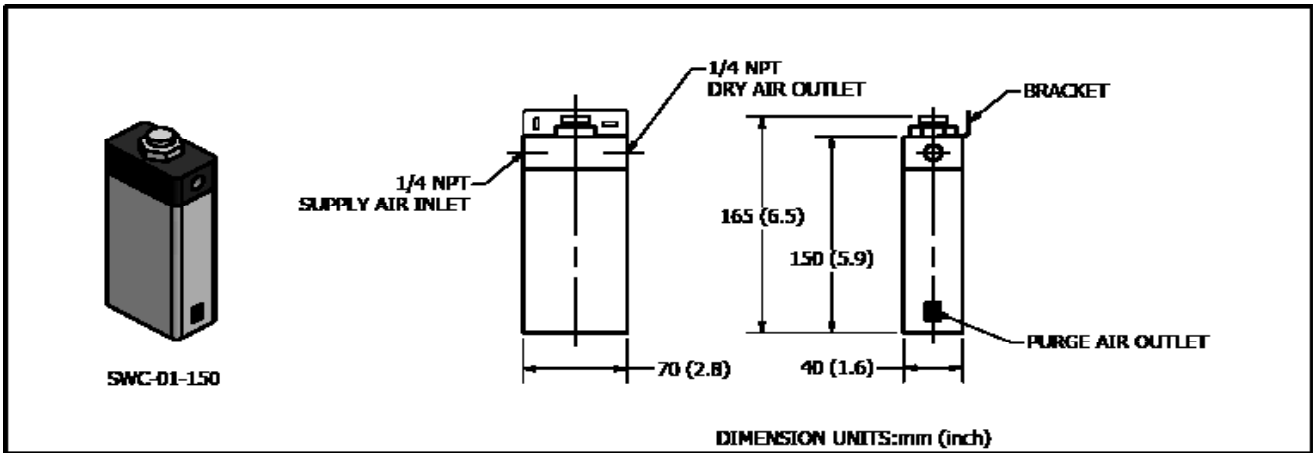
SWC Series Dryers



The SWC-Series Compressed air dryers from Sunsep incorporate a hydrophilic membrane tube bundle with an integrated purge flow mechanism which provides point-of-use dry air for pneumatic instrumentation and equipment. The dryers require no electricity and are perfect for hazardous area installations.

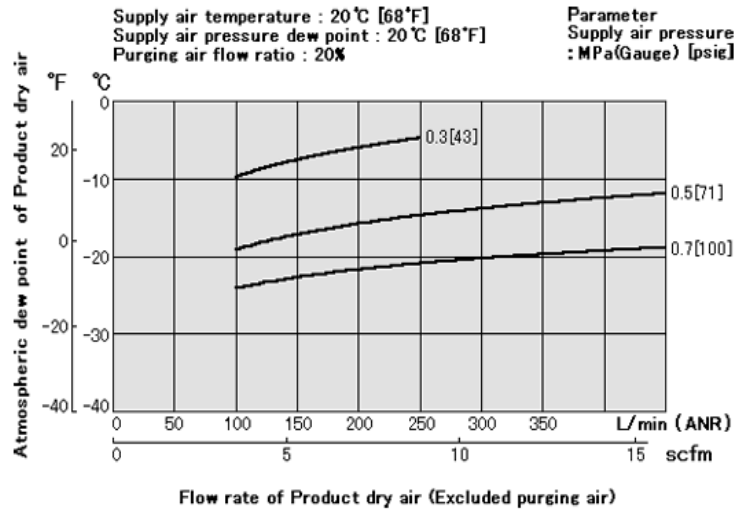
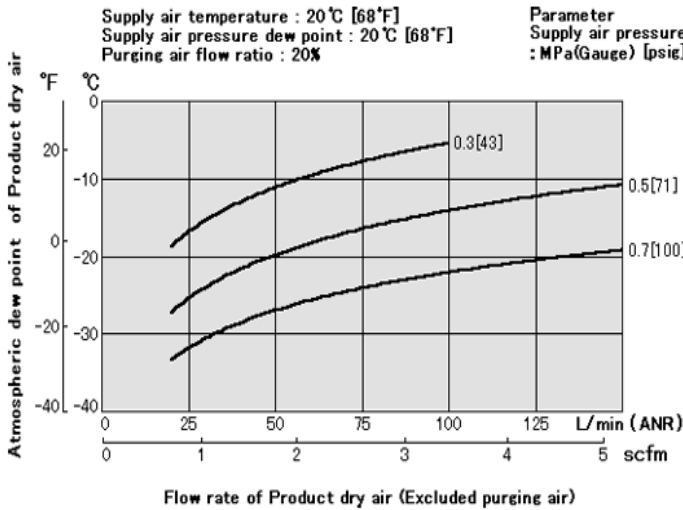
- Dries continuously
- No electricity, no maintenance
- Compact design has small installation footprint
- Pressures to 125 psig and flow rates to 100 lpm





SWC-01-150 Drying Performance

SWB-03-250 Drying Performance



Canadian Distributor:



ESG is a leader in the supply of industrial and process filtration equipment and consumables and represents the complete Sunsep product line in Canada.

www.esgfiltration.com

