

1-Round HX Cartridge Filter Housings

Stainless Steel

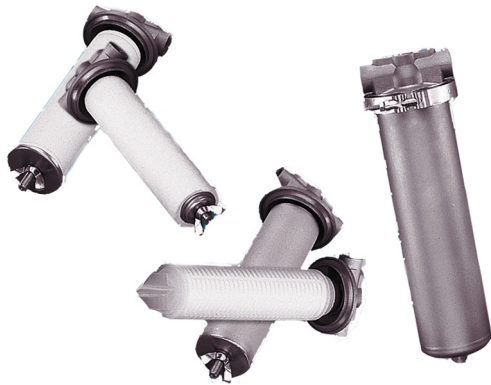


Figure 1: HX and HX-22 subassemblies

GE Water & Process Technologies Single-Round Cartridge Filter Housings (Figure 1) combine convenience with quality to meet the challenges of a variety of applications. These stainless steel housings are available in various configurations to accept many styles of cartridges.

General Properties

Table 1: Specifications

Liquid Pressure Rating	250 psig @ 150°F (17.2 bar @ 66°C)
Housing Material	316 Stainless Steel
Inlet/Outlet Connections	3/4 -inch (19.1 mm) FNPT
Upstream Drain Port	1/4 -inch (6.35 mm) FNPT
Post-Filter Gauge Port	1/4 -inch (6.35 mm) FNPT (plugged)
O-Ring Material	Buna-N standard; EPDM, Silicone, Viton ¹ and Teflon ¹ optional
Cartridge Lengths	9.25–10.0-inch (23.5–25.4 cm) 19.25–20.0-inch (48.9–50.8 cm)
Finish	Satin Finish

¹Viton and Teflon are trademarks of DuPont

Table 2: Features and Benefits

Stainless Steel Construction	Stainless steel provides proven corrosion resistance and strength. The housing's durable construction is capable of handling frequent on/off cycling or harsh chemical environments.
V-Band Clamp Closure	Quick and easy cartridge filter replacement reduces labor costs and downtime. The V-band clamp is designed for maximum durability and trouble-free operation.
Cartridge Sealing Mechanism	The HX models utilize a drawbar and seal cup to provide a worry-free cartridge seal. The HX-222 model uses a special head to seal the 222 O-ring adapter. Both of these designs allow inspection of all seals before the sump is secured in place.
Cartridge Compatibility	Cartridge filter housings are designed for use with Hytrex*, Purtrex*, Selex*, and Memtrex* brand cartridges, and most other brands of cartridge filters from 2.25- to 3.13-inch (5.7 to 8.0 cm) outer diameter (OD).
Tungsten Inert Gas (TIG) Welding	All TIG welding is done at GE factories for the highest quality control.

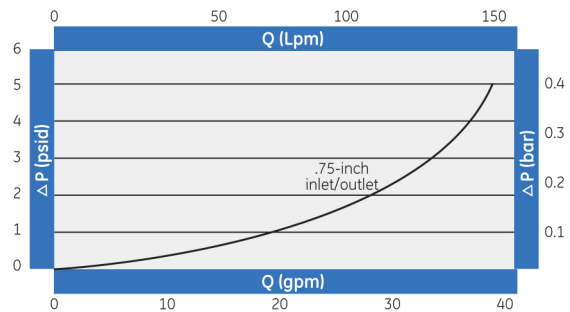


Figure 2: Pressure Drop vs. Flow Rate (Empty Housing)



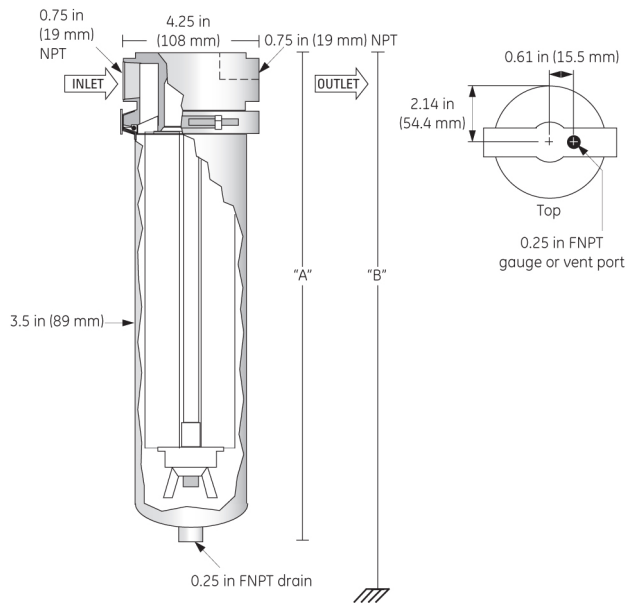
Find a contact near you by
visiting gewater.com or
e-mailing custhelp@ge.com.

Global Headquarters
Trevose, PA
+1-215-355-3300

Americas
Watertown, MA
+1-617-926-2500

Europe/Middle East/Africa
Heverlee, Belgium
+32-16-40-20-00

Asia/Pacific
Shanghai, China
+86 (0) 411-8366-6489



Note: Draw bar and bottom seal cup are not included with HX-222 models.

Figure 3: Housing Specifications

Table 3: Housing Specifications

Model	Flow Rate ²		Length "A" (Overall housing height)		Length "B" (Height required to remove cartridges)		Empty weight lb (kg)
	gpm	Lpm	Inch	(cm)	inch	(cm)	
HX0110-.75T-316-A	5 (19)		15.3 (39)		27 (69)		8 (4)
HX0120-.75T-316-A	10 (38)		25.3 (64)		47 (119)		11 (5)
HX0110-.75T-316-A-222	5 (19)		15.3 (39)		27 (69)		8 (4)
HX0120-.75T-316-A-222	10 (38)		25.3 (64)		47 (119)		11 (5)

²Flow rate is dependent upon cartridge filter selection, fluid properties, and maximum acceptable pressure drop.

**Table 4: Ordering Information -
Sample: HX0120-.75T-316-A-222**

Hytrex Filter Housing	Number of Cartridges per Housing	Cartridge Length	Inlet/Outlet Size (Inch)	FNPT Port-Type	Housing Material 316SS	V-Band Clamp Closure
HX	01	-	.75	T	-	316
		10-inch				A
		20-inch				

Accessories: An optional pressure gauge (ordered separately) is available.