

3-Round Cartridge Filter Housings

Stainless Steel



Figure 1: 3-Round Cartridge Filter Housings**

**Shown with optional clamp on stand.

General Properties

Table 1: Specifications

| | |
|----------------------------------|--|
| Liquid Pressure Rating | 150 psig (10.3 bar) @ 200°F (93°C) |
| Housing Material | 316 Stainless Steel |
| Inlet/Outlet Connections | 1-1/2 inch (3.81 cm) MNPT standard; Victaulic and flanges optional |
| Pre- and Post-Filter Gauge Ports | ¼ inch (0.6 cm) FNPT ports for inlet |
| Upstream Vent Port | ½ inch (0.6 cm) FNPT |
| Drain Port | ½ inch (1.3 cm) MNPT |
| O-Ring Material | Buna-N standard; EPDM, Viton ¹ , and Teflon ¹ optional |
| Cartridge Lengths | 20, 30, 40, or 50 inch filters (51, 76, 102, or 127 cm) |
| Finish | Satin Finish |
| Handles | Handles included on 30, 40, and 50 inch (76, 102, or 127 cm) housing domes |

¹Viton and Teflon are trademarks of DuPont

Table 2: Features and Benefits

| | |
|--------------------------------|---|
| Stainless Steel Construction | Proven corrosion resistance and strength. Operating pressure to 150 psig (10.3 bar) at 200°F (93°C). |
| Side Inlet and Bottom Outlet | Side inlet is located below the level of the filters, providing non-impinging flow. The bottom outlet allows the housing to be drained completely and reduces the installation space required. |
| Universal Cup and Post Sealing | Provides lower seal for cartridge filters with open end knife-edge type, "222" O-ring, or "120" O-ring end adapters. |
| Hold-Down Plate | Provides upper seal for cartridge filters with patented Hytrex* self seal spring, open end knife-edge seal (when used with optional stainless steel cup-and-spring adapters), or fin adapters. |
| V-Clamp Closure | Quick and easy cartridge filter replacement reduces labor costs and downtime. |
| Clamp-On Stainless Steel Stand | An optional floor mounting stand allows adjustment of the housing height and the level of the inlet and outlet. |



Find a contact near you by
visiting gewater.com or
e-mailing custhelp@ge.com.

Global Headquarters
Trevose, PA
+1-215-355-3300

Americas
Watertown, MA
+1-617-926-2500

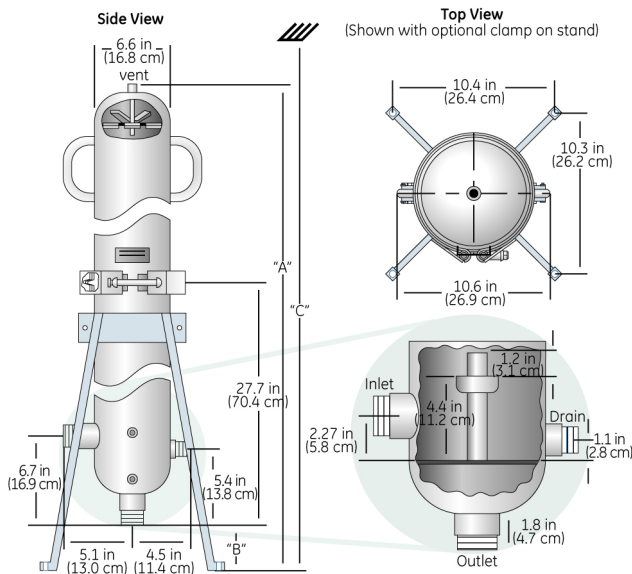
Europe/Middle East/Africa
Heverlee, Belgium
+32-16-40-20-00

Asia/Pacific
Shanghai, China
+86 (0) 411-8366-6489

©2006, General Electric Company. All rights reserved.

*Trademark of General Electric Company; may be registered in one or more countries.

FS1157EN 0606



B: Bottom of outlet can be as high as 10 inches (25.4 cm) above the floor or as low as 7.5 inches (19.0 cm) below the floor if mounted over a trench.

Figure 2: Housing Specifications

Table 2: Housing Specifications

| Model | Flow Capacity ² gpm (Lpm) | Weight lb (kg) | "A" Length ³ inch (cm) | "C" Overall Length Required for Cartridge Removal ³ inch (cm) |
|---------------------|---|-------------------|--------------------------------------|---|
| HX320-1.5 ___-___-A | To 40 (151) | 49 (22) | 40 (102) | 54 (137) |
| HX330-1.5 ___-___-A | To 50 (189) | 55 (25) | 50 (127) | 68 (173) |
| HX340-1.5 ___-___-A | To 60 (227) | 62 (28) | 60 (152) | 88 (224) |
| HX350-1.5 ___-___-A | To 70 (265) | 69 (31) | 70 (178) | 108 (274) |

²Flow rate is dependent upon cartridge filter selection, fluid properties, and maximum acceptable pressure drop.

³Based on B = 5 inches (12.7 cm) on dimensional drawing (this dimension is adjustable).

Table 4: Ordering Information –
Sample: HX320-1.5V-316-A

| Hyrex Filter Housing | Number of Cartridges per Housing | Cartridge Length | Inlet/Outlet Size | Port Type | Housing Material 316SS | V-Band Clamp Closure |
|----------------------|----------------------------------|------------------|-------------------|---------------|------------------------|----------------------|
| HX | 3 | - | 1.5 | - | 316 | A |
| | | 20 inch | | V = Victaulic | | |
| | | 30 inch | | T = MNPT | | |
| | | 40 inch | | F = Flange | | |
| | | 50 inch | | | | |

Accessories: Clamp-on legs, cup and spring assemblies (for double-open-end cartridges), pressure gauges and threaded or victaulic flanges are ordered separately.

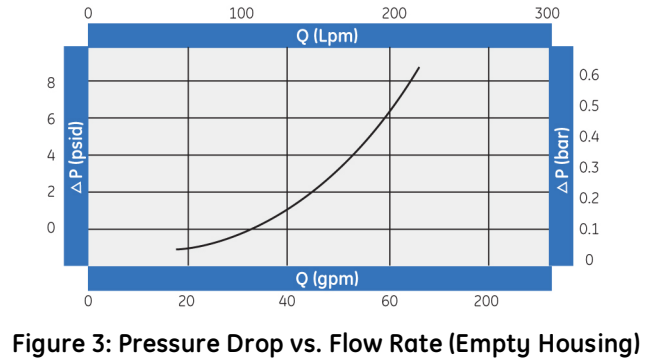


Figure 3: Pressure Drop vs. Flow Rate (Empty Housing)