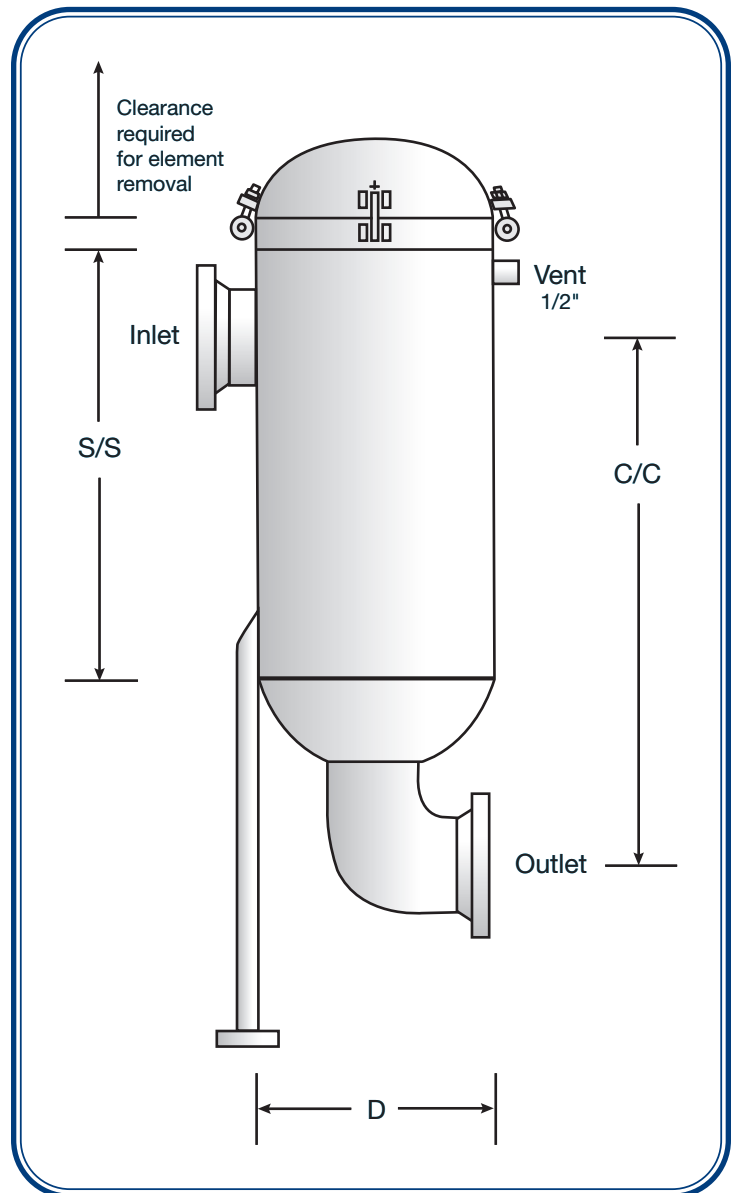


## SERIES CC, CARBON CANISTER HOUSINGS

ESG Series CC Carbon Canister Housings are designed to adsorb dissolved hydrocarbons and certain well inhibitors. ESG Series CC Carbon Canister Housings are typically used on amine and glycol systems to remove the oils, dissolved hydrocarbons and degradation compounds that build up over time. Series CC Carbon units should be installed on the lean side of glycol and amine systems where the temperature is below 100-120°F and if placed on a slip stream they should be handling at least 30% of the total flow. Series CC Housings can be configured to have cartridges on a single layer or stacked two high. Single layer housings are easier to change out but stacked cartridge housings have a smaller foot print.

### SPECIFICATIONS:

<b>Orientation:</b>	Vertical only
<b>Inlet/Outlet Sizes:</b>	1" to 8" standard
<b>ANSI Ratings:</b>	150# - 2500#
<b>Number of Canisters:</b>	1 to 19 (or 38 if canisters are stacked)
<b>Service:</b>	Sweet or Sour
<b>Materials:</b>	Carbon Steel
<b>MDMT:</b>	-20°F
<b>Design Temperature:</b>	Up to 150°F (Call to discuss higher temperatures)
<b>Closure:</b>	T-Bolt Standard



### OPTIONS:

- 304 or 316 Stainless Steel housing or element posts.
- Low temp materials.
- Several Quick Opening Closure designs are available.
- All flanged construction.
- Single level cartridges or stacked cartridges.

## HOW TO SPECIFY A MODEL:

**EACC-S-01-12-01**

### ANSI RATING

A = 150#  
B = 300#  
C = 600#  
D = 900#  
E = 1500#  
F = 2500#

### SERVICE

S = Sweet  
SS = Sour

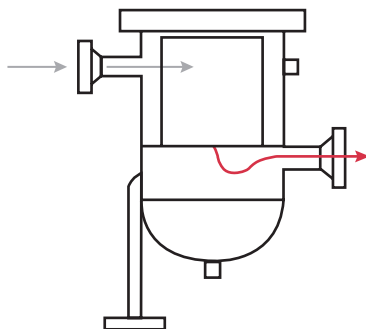
### INLET/OUTLET (in)

### # of CANISTERS

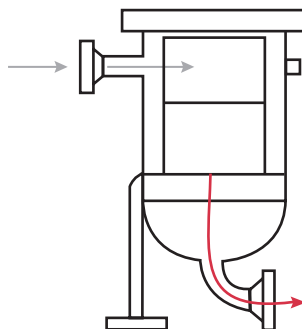
### CASE SIZE (in)

## ORIENTATION OPTIONS:

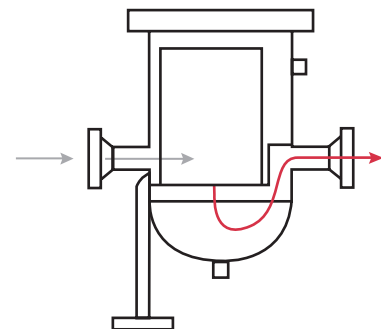
**Standard**



**Bottom  
Outlet**



**Inline**



Dirty Liquid →

Clean Liquid →

## HOW TO CONTACT US:

### CALGARY

Phone: (403) 571-0202

Fax: (403) 571-0214

Toll Free: 1-800-247-0202

### EDMONTON

Phone: (780) 416-7741

Fax: (780) 416-9200

### GRANDE PRAIRIE

Phone: (780) 513-5558

Fax: (780) 513-5559

LOCAL DISTRIBUTOR