

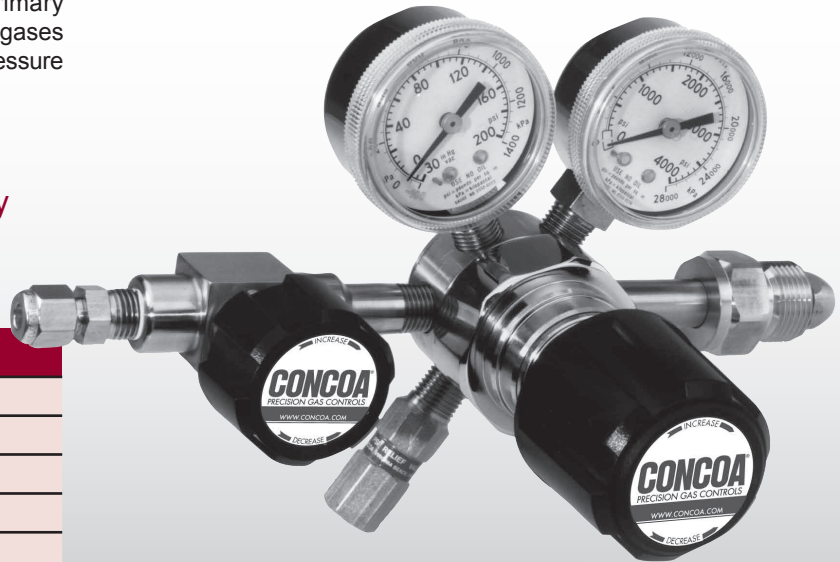


# 400 Series Regulators

# 422 SERIES

The 422 Series regulators are intended for primary pressure control of ultra-high purity and corrosive gases in applications where minor fluctuations in outlet pressure due to diminishing inlet supply can be tolerated.

- Single Stage
- 316L Stainless Steel Barstock Body
- Six Port Configuration
- 316L Stainless Steel Diaphragm



422 3331-580 shown

## Typical Applications

- Gas and liquid chromatography
- Ultra-high purity carrier gases
- Zero, span, and calibration gases
- High purity chamber pressurization
- Liquefied hydrocarbon gas control
- Control of cryogenic gases
- Corrosive gases

## Features

- Metal-to-Metal Diaphragm Seal**  
No possibility of gas contamination
- CAPSULE® Seat**  
Increased serviceability and life
- 316L Stainless Steel Barstock Body**  
Increased corrosion resistance
- Front and Rear Panel-Mountable**  
Versatile system configuration
- Pressure Ranges 0-15 to 0-500 PSIG (0-1 to 0-34 BAR)**  
Broad range of applications
- Pipe Away Relief Valve**  
Safely vents exhaust gases

## Materials

- Body**  
316L stainless steel barstock
- Bonnet**  
Chrome-plated brass barstock
- Seat**  
PTFE  
PCTFE with 3500 PSIG (240 BAR) or 4500 PSIG (310 BAR) inlet option
- Filter**  
Patented 10 micron 316 mesh
- Diaphragm**  
316L stainless steel
- Internal Seals**  
PTFE

## Specifications

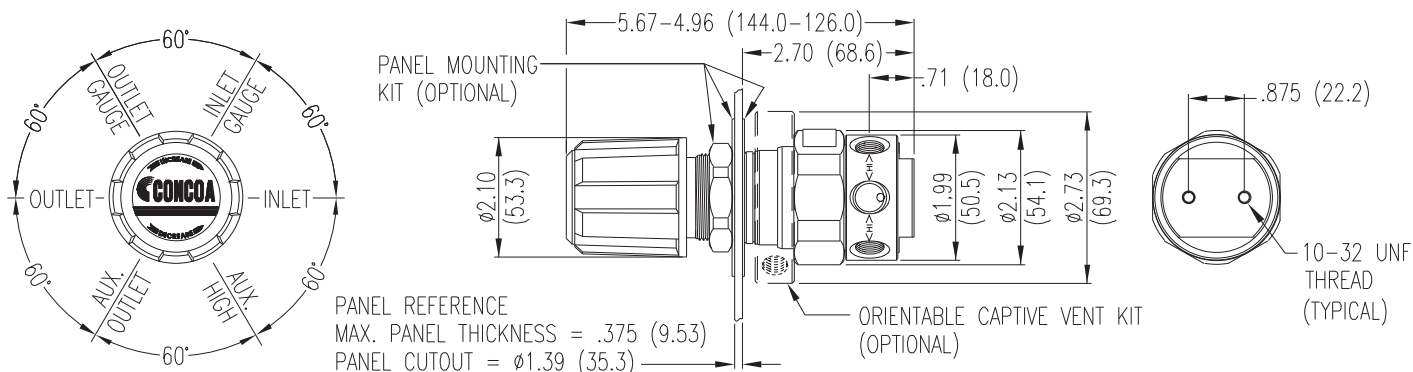
- Maximum Inlet Pressure**  
3000 PSIG (210 BAR)  
3500 PSIG (240 BAR) optional  
4500 PSIG (310 BAR) optional
- Temperature Range**  
-40°F to 140°F (-40°C to 60°C)
- Gauges**  
2" (53mm) diameter stainless steel
- Ports**  
1/4" FPT
- Helium Leak Integrity**  
1 x 10<sup>-9</sup> scc/sec
- Cv**  
0.1  
See page 202 for flow curves
- Weight (422 3331-580)**  
3.8 lbs. (1.73 kg)

CRN 0H15806.5R1

# 400 Series Regulators



## Installation Dimensions



## Ordering Information

422	A	B	C	D	-CON	Options	
Series 422	Outlet Pressure	Outlet Gauge	Inlet Gauge	Outlet Assemblies	Assembly/Gauges	Inlet Connections	Installed Options
	<b>1:</b> 0-15 PSIG (0-1 BAR)*	30"-0-30 PSIG/ -1-0-2 BAR	<b>0:</b> None	<b>0:</b> 1/4" FPT port	<b>0:</b> Bare body	<b>000:</b> 1/4" FPT	<b>B:</b> Protocol alarm station with pressure switch gauges
	<b>2:</b> 0-50 PSIG (0-3.5 BAR)	30"-0-100 PSIG/ -1-0-7 BAR	<b>3:</b> 0-4000 PSIG/ 0-275 BAR	<b>1:</b> 1/4" MPT	<b>1:</b> Cleanroom assembly (PSIG/kPa gauges)	<b>TF2:</b> 1/8" tube	<b>C:</b> Protocol switchover station
	<b>3:</b> 0-100 PSIG (0-7 BAR)	30"-0-200 PSIG/ -1-0-14 BAR	<b>5:</b> 0-1000 PSIG/ 0-70 BAR	<b>2:</b> 1/4" tube fitting	<b>2:</b> Cleanroom assembly (BAR/PSIG gauges)	<b>TF4:</b> 1/4" tube	<b>D:</b> Deep purge*
	<b>4:</b> 0-250 PSIG (0-17 BAR)	0-400 PSIG/ 0-27 BAR	<b>6:</b> 0-300 PSIG/ 0-21 BAR	<b>3:</b> Diaphragm valve 1/4" tube fitting	<b>6:</b> Mirror image (PSIG/kPa gauges)	<b>TF6:</b> 3/8" tube	<b>E:</b> Protocol alarm station with intrinsically safe transducer for hazardous environments
	<b>5:</b> 0-500 PSIG (0-34 BAR)**	0-1000 PSIG/ 0-70 BAR	<b>7:</b> 0-400 PSIG/ 0-27 BAR	<b>4:</b> Diaphragm valve 1/4" MPT	<b>7:</b> Mirror image (BAR/PSIG gauges)	<b>M06:</b> 6mm tube	<b>H:</b> Protocol switchover alarm station with pressure switch gauges
	<b>7:</b> 0-150 PSIG (0-10 BAR)	30"-0-200 PSIG/ -1-0-14 BAR	<b>8:</b> 0-6000 PSIG* 0-400 BAR	<b>5:</b> Needle valve 1/4" MPT		CGA DIN 477 BS 341 and others available	<b>J:</b> Protocol alarm station with standard transducer for non hazardous environments
	*Not available with 4500 PSIG (310 BAR) maximum inlet pressure	G: 0-4000 PSIG/ 0-275 BAR†	<b>6:</b> 1/8" tube fitting	<b>7:</b> 3/8" tube fitting			<b>K:</b> Protocol switchover alarm station with standard transducer for non hazardous environments
	**Standard assembly does not include relief valve	*Maximum inlet pressure 4500 PSIG (310 BAR) with PCTFE seat CAPSULE®	<b>7:</b> 3/8" tube fitting	<b>8:</b> Diaphragm valve 1/8" tube fitting			<b>M:</b> Protocol station
		†Maximum inlet pressure 3500 PSIG (240 BAR) with PCTFE seat CAPSULE	<b>8:</b> Diaphragm valve 1/8" tube fitting	<b>9:</b> Diaphragm valve 1/4" FPT			<b>Q:</b> Protocol purge station*
			<b>9:</b> Diaphragm valve 1/4" FPT	<b>M:</b> 6mm tube fitting			<b>S:</b> Stainless steel bonnet
			<b>M:</b> 6mm tube fitting	<b>S:</b> Diaphragm valve 6mm tube fitting			<b>X:</b> Protocol switchover alarm station with intrinsically safe transducer for hazardous environments
			<b>S:</b> Diaphragm valve 6mm tube fitting				*Not available with 4500 PSIG (310 BAR) max inlet pressure

## Related Options

Order No.	Description
550 0002	Panel mount kit
550 0001	Captured vent kit
476 0002	Helium Leak certification

REGULATORS



# Regulator Flow Curves

## Flow Curves for 302, 304, 305, 307, 322, 324, 327, 401, 402, 408, 420, 422, 426, 427, 428, 429 Series

