



# 400 Series Regulators

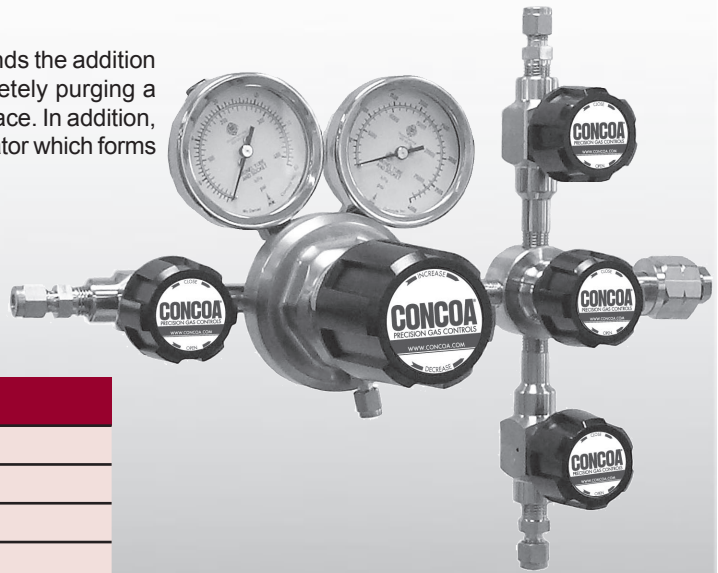
# 455 SERIES

The 455 Series regulators are intended for primary pressure control of highly corrosive gases such as chlorides, sulfides, and other acid-forming gases.

## Deep Purge

For safety and corrosion prevention, CONCOA highly recommends the addition of a Deep Purge assembly to the 455 Series regulator. Completely purging a system prevents the release of hazardous gases into the work place. In addition, the Deep Purge prevents the introduction of moisture to the regulator which forms acids in the body and results in corrosion.

- Single Stage
- Electroless Nickel-Plated Forged Brass Body
- Corrosive Service



455 2332-330 shown

## Typical Applications

- Hydrogen chloride
- Chlorine
- Boron trichloride
- Hydrogen sulfide
- Dichlorosilane

## Features

- Nickel-Plated Forged Brass Body**  
Durable, long lasting construction
- Convolute 316L Stainless Steel Diaphragm**  
Sensitive to downstream changes
- CAPSULE® Seat**  
Serviceability and long life
- Captured Vent Standard**  
Safely vent exhaust gases
- Hastelloy® Seat Assembly**  
Superior corrosion resistance
- High Load Marginal Spring**  
Positive seat closure

## Materials

- Body**  
Electroless nickel-plated forged brass
- Bonnet**  
Electroless nickel-plated forged brass
- Seat**  
PTFE
- Nozzle**  
Hastelloy®
- Diaphragm**  
316L stainless steel
- Diaphragm Seal**  
PTFE
- Filter**  
10 micron Hastelloy®

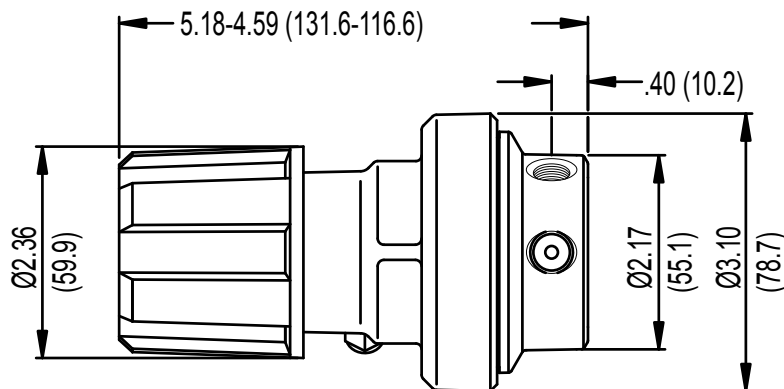
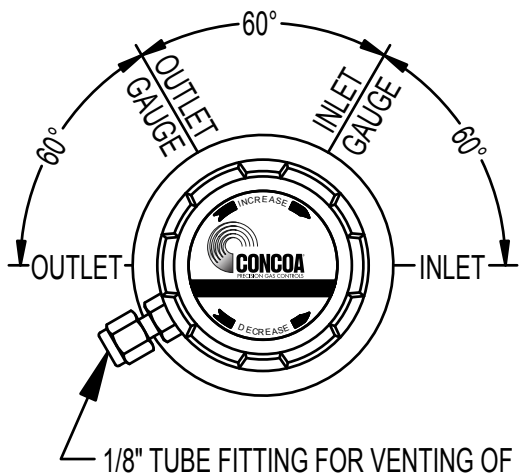
## Specifications

- Maximum Inlet Pressure**  
3000 PSIG (210 BAR)
- Temperature Range**  
-40°F to 140°F (-40°C to 60°C)
- Gauges**  
2 1/2" (53mm) diameter Monel®
- Ports**  
1/4" FPT
- Helium Leak Integrity**  
1 x 10<sup>-8</sup> scc/sec
- Cv**  
0.2  
*See page 203 for flow curves*
- Weight (455 2332-660)**  
7.23 lbs. (3.28 kg)

# 400 Series Regulators



## Installation Dimensions



REGULATORS

## Ordering Information

455	A	B	C	D	-CON	Options	
Series 455	Outlet Pressure	Outlet Gauge	Inlet Gauge	Outlet Assemblies	Assembly/ Gauges	Inlet Connections	Installed Options
	<b>1:</b> 0-15 PSIG (0-1 BAR)	30"-0-30 PSIG/ -1-0-2 BAR	<b>0:</b> None	<b>0:</b> 1/4" FPT port	<b>0:</b> Bare body	<b>000:</b> 1/4" FPT	None
	<b>2:</b> 0-40 PSIG (0-3 BAR)	0-60 PSIG/ 0-4 BAR	<b>3:</b> 0-4000 PSIG/ 0-275 BAR	<b>1:</b> 1/4" MPT	<b>1:</b> Standard assembly without deep purge (PSIG/kPa gauges)	<b>TF2:</b> 1/8" tube	
	<b>3:</b> 0-120 PSIG (0-8 BAR)	0-200 PSIG/ 0-14 BAR	<b>5:</b> 0-1000 PSIG/ 0-70 BAR	<b>2:</b> 1/4" tube fitting	<b>2:</b> Standard assembly with deep purge (PSIG/kPa gauges)	<b>TF4:</b> 1/4" tube	
	<b>4:</b> 0-200 PSIG (0-14 BAR)	0-400 PSIG/ 0-27 BAR	<b>6:</b> 0-300 PSIG/ 0-21 BAR	<b>3:</b> Diaphragm valve 1/4" tube fitting	<b>4:</b> Standard assembly without deep purge (BAR/PSIG gauges)	<b>TF6:</b> 3/8" tube	
	<b>5:</b> 0-250 PSIG (0-17 BAR)	0-400 PSIG/ 0-27 BAR	<b>7:</b> 0-400 PSIG/ 0-27 BAR	<b>4:</b> Diaphragm valve 1/4" MPT	<b>5:</b> Standard assembly with deep purge (BAR/PSIG gauges)	<b>M06:</b> 6mm tube	
			<b>8:</b> 0-200 PSIG/ 0-14 BAR	<b>5:</b> Needle valve 1/4" MPT		CGA DIN 477 BS 341 and others available	
				<b>6:</b> 1/8" tube fitting			
				<b>7:</b> 3/8" tube fitting			
				<b>8:</b> Diaphragm valve 1/8" tube fitting			
				<b>9:</b> Diaphragm valve 1/4" FPT			
				<b>M:</b> 6mm tube fitting			
				<b>S:</b> Diaphragm valve 6mm tube fitting			

# Regulator Flow Curves



## Flow Curves for 109, 202 and 455 Series Single Stage

