

high flow cartridge filter housings

stainless steel

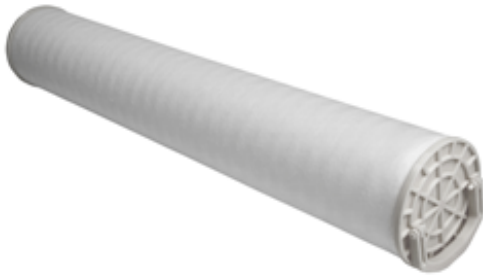


Figure 1: High Flow Cartridge Filter

SUEZ multiple round Cartridge Filter Housings for High Flow filter (Figure 1) combine convenience with quality to meet the challenges of a variety of applications.

All housings are designed, manufactured and tested in accordance with the Art. 3.3 of the European Pressure Vessels directive 97/23/EC.

general properties

Table 1: Specifications

Max Liquid Pressure Rating	10 bars @ 93°C
Housing Material	304 or 316L Stainless Steel
Drain Connections	Dn 25 DIN 2633
Vent Connections	Dn 15 DIN 2633
In/out connection	1 round: Flange Dn 50 DIN 2633 4 rounds: Flange Dn 100 DIN 2633 7 rounds: Flange Dn 150 DIN 2633
O-Ring Material	EPDM standard Silicone and Viton optional
Cartridge Lengths	39in nominal
External/Internal Finish	Pickled and passivated Optional: electropolished

Viton and Teflon are trademarks of DuPont

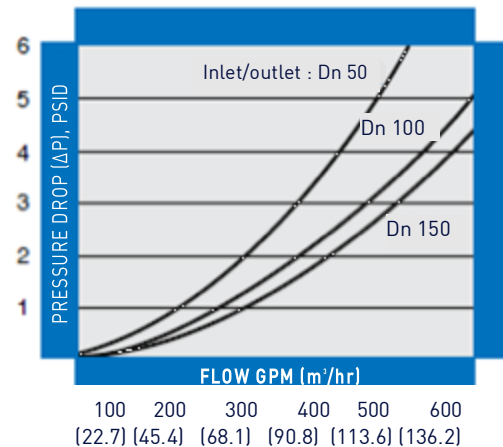


Figure 2: Pressure Drop vs. Flow Rate (Empty Housing)

Table 3: Housing Specifications

Model	Configuration	Flow Rate ¹ gpm (m³/hr)
HFZ,1R	Horizontal	100 (23)
HFZ,1R	Vertical	100 (23)
HFZ,4R	Horizontal	400 (132)
HFZ,7R	Horizontal	700 (161)

¹Flow rate is dependent upon cartridge filter selection, fluid properties, and maximum acceptable pressure drop.

Find a contact near you by visiting www.suezwatertechnologies.com and clicking on "Contact Us."

*Trademark of SUEZ; may be registered in one or more countries.

©2017 SUEZ. All rights reserved.

Table 4: Shipping Information

Model	Configuration	Pallet	
		Weight	Dimensions (cm)
HFZ,1R	Horizontal or Vertical	60 Kg	80x150x40h
HFZ,4R	Horizontal	160 Kg	80x150x80h
HFZ,7R	Horizontal	245 Kg	80x150x100h

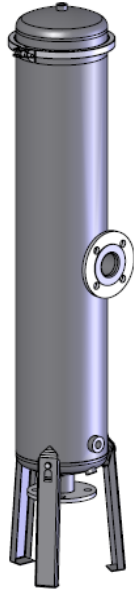


Figure 3a: 1R Vertical Housing

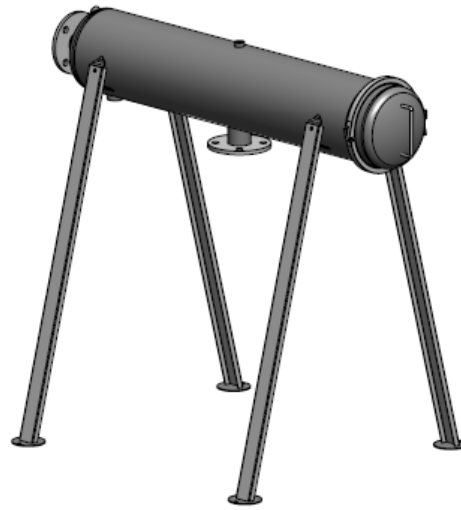


Figure 3b: 1R Horizontal Housing

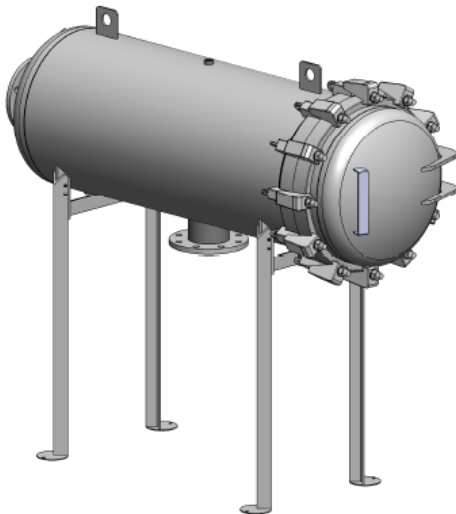


Figure 4: 4R Horizontal Housing

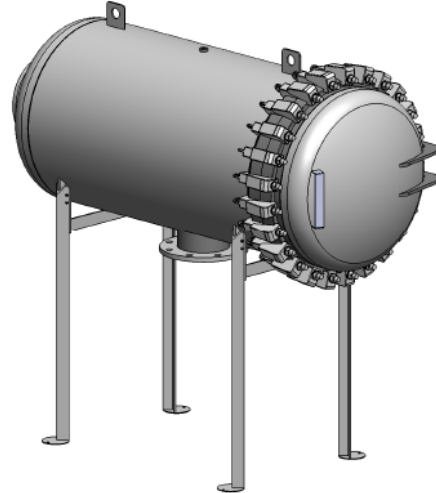


Figure 5: 7R Horizontal Housing

Table 5: Ordering Information - Sample: HSG, HFZ, 1R, 304SS, H, PED

Hytrex* Filter Housing	Number of Cartridges per Housing	Housing Material	Finish	Configuration	European regulation
HSG, HFZ					PED
	1R	304SS	-	V (for 1R only)	
	4R	316SS	EP (for 316SS only)	H	
	7R				

